

Advantage ICF System®

Product Information Bulletin

BULLETIN NO.	201
ISSUED:	June 25, 2019
REPLACES:	September 15, 2015

CCMC Evaluation Report 13101-R (12 pages attached)

Canadian Construction Materials Centre (CCMC) **Evaluation Report** 13101-R addresses the Advantage ICF System®. CCMC 13101-R provides the following opinion under section 1:

It is the opinion of the Canadian Construction Materials Centre (CCMC) that “Advantage Insulating Concrete Forming (ICF) System”, when used as an insulated concrete form in accordance with the conditions and limitations stated in Section 3 of this Report, complies with the National Building Code (NBC) of Canada 2015.

Refer to the attached copy of CCMC evaluation report 13101-R for additional detail. The latest version of CCMC evaluation report 13101-R can be downloaded from the Plasti-Fab website at www.plastifab.com/technical-library/tcs-advantage.html or from the CCMC website at <https://nrc.canada.ca/en/certifications-evaluations-standards/construction-materials-certification>.

NOTES:

1. The NBC 2015 and NBC 2010 provide prescriptive requirements for construction of above and below grade concrete walls using ICF systems. A detailed description of applicable prescriptive requirements for construction of above and below grade concrete walls using ICF systems is provided in Advantage ICF System PIB 207.
2. The Advantage ICF System **Technical Manual** provides *additional* proprietary reinforcement tables for above and below grade concrete walls using the Advantage ICF System. Design assumptions used in the development of the proprietary reinforcement tables are provided in the **Engineering Analysis** section of the Advantage ICF System **Technical Manual**.



Evaluation Report CCMC 13101-R Advantage Insulating Concrete Forming (ICF) System

MasterFormat:	03 11 19.01
Evaluation issued:	2003-02-06
Re-evaluated:	2019-05-27

1. Opinion

It is the opinion of the Canadian Construction Materials Centre (CCMC) that “Advantage Insulating Concrete Forming (ICF) System”, when used as an insulated concrete form in accordance with the conditions and limitations stated in Section 3 of this Report, complies with the National Building Code (NBC) of Canada 2015:

- Clause 1.2.1.1.(1)(a) of Division A, using the following acceptable solutions from Division B:
 - Section 4.1., Structural Loads and Procedures
 - Subsection 4.3.3., Plain, Reinforced and Pre-stressed Concrete
 - Article 9.3.1.1., General (Materials, Systems and Equipment, Concrete)
 - Clause 9.15.1.1.(1)(c), General (Footings and Foundations)
 - Article 9.15.3.3., Application of Footing Width and Area Requirements
 - Clause 9.15.3.5.(1)(c), Adjustments to Footing Widths for Exterior Walls
 - Sentence 9.15.4.1.(1), Permanent Form Material
 - Article 9.15.4.2., Foundation Wall Thickness and Required Lateral Support
 - Sentence 9.15.4.3.(5), Foundation Walls Considered to be Laterally Supported at the Top
 - Article 9.15.4.4., Foundation Walls Considered to be Laterally Supported at the Bottom
 - Article 9.15.4.5., Reinforcement for Flat Insulating Concrete Form Foundation Walls
 - Clause 9.20.1.1.(1)(b), General (Masonry and Insulating Concrete Form Walls Not in Contact with the Ground)
 - Sentence 9.20.1.1.(2), General (Masonry and Insulating Concrete Form Walls Not in Contact with the Ground)
 - Article 9.20.15.1., Amount of Reinforcement (Reinforcement for Earthquake Resistance)
 - Subsection 9.20.17., Above-Ground Flat Insulating Concrete Form Walls

- Clause 1.2.1.1.(1)(b) of Division A, as an alternative solution that achieves at least the minimum level of performance required by Division B in the areas defined by the objectives and functional statements attributed to the following applicable acceptable solutions:
 - Clause 4.1.1.3.(4)(c), Design Requirements

This opinion is based on CCMC’s evaluation of the technical evidence in Section 4 provided by the Report Holder.

2. Description

The product is a modular, interlocking concrete form system consisting of two expanded polystyrene panels. Embedded in the polystyrene panels are polypropylene connectors that are equally spaced at 203 mm horizontally for the 150-mm-thick concrete wall form and 152 mm horizontally for the 200-mm-thick concrete wall form.

The polystyrene face panels have a preformed symmetrical interlocking expanded polystyrene (EPS) design along the top, bottom and vertical edges to facilitate stacking and alignment, as well as to prevent leakage of freshly placed concrete.

The units are dry-laid and stacked in a running (staggered) configuration. The stacked units form a rectangular space that, after being filled

with concrete, results in an insulated, monolithic concrete wall of uniform thickness. Reinforcement may be placed where required to satisfy strength requirements for above- or below-grade loadbearing walls, beams, lintels, and shear walls.

The units have external dimensions of 1 219 mm in length and 419 mm in height. The polystyrene panels are each 67 mm thick, resulting in an overall wall thickness of 284 mm for the 150-mm-thick concrete wall form or 334 mm for the 200-mm-thick concrete wall form.

The product units are available in straight, 90° or 45° corner forms, “Taper Top Block,” and “Brick Ledge Block” forms. A standard unit is illustrated in Figure 1.

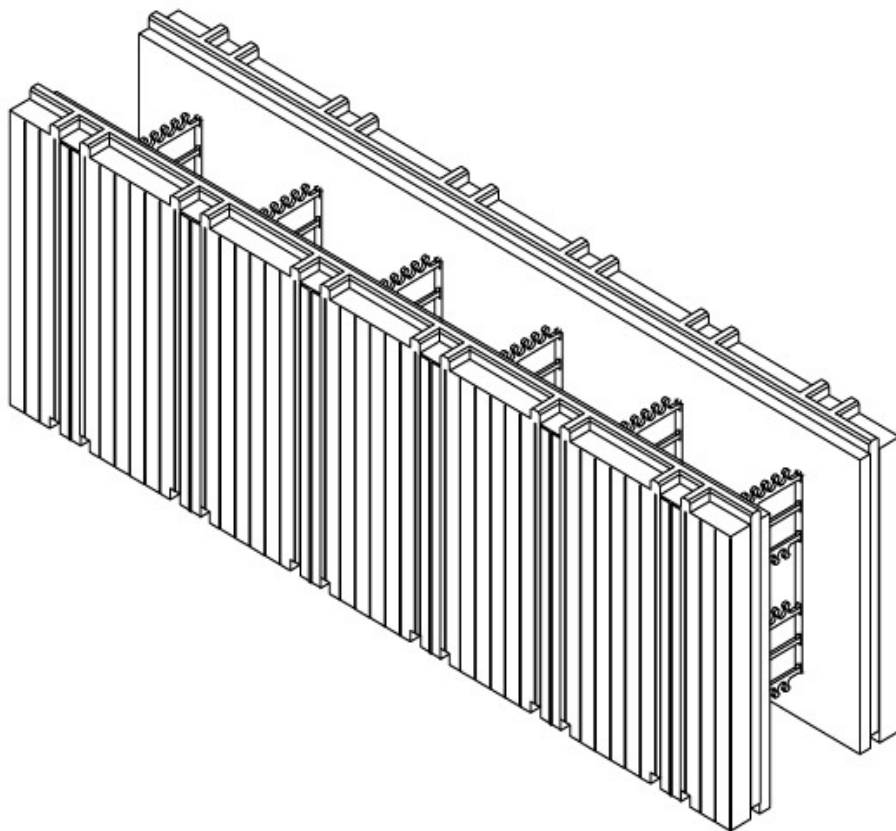


Figure 1. “Advantage Insulating Concrete Forming (ICF) System” standard unit

3. Conditions and Limitations

CCMC’s compliance opinion in Section 1 is bound by the “Advantage Insulating Concrete Forming (ICF) System” being used in accordance with the conditions and limitations set out below.

- The product is permitted to be used in the construction of houses and small buildings up to two storeys above grade and one storey below grade that fall under the provisions of Part 9, Housing and Small Buildings, of Division B of the NBC 2015. It is subject to all of the conditions listed below.
- The structural applications of this product must be in strict accordance with the design analysis as prepared by Plasti-Fab Ltd., Report No. 19-02-01, dated February 01, 2019, from which Tables 4.2.1.1 to 4.2.1.5 have been reproduced. When the product is used in structural applications outside the scope of the referenced design analysis, the engineering design analysis, related documents and drawings must bear the authorized seal of a registered professional engineer skilled in concrete design and licensed to practice under the appropriate provincial or territorial legislation. The engineer must certify that the construction provides a level of performance equivalent to that required by Part 4, Structural Design, and/or Part 9 of the NBC 2015.
- The maximum permitted building length is 24.4 m and the maximum permitted building width is 12.2 m. Engineering is required on a case-by-case basis for buildings that exceed these dimensions.
- For loadbearing wall and shear wall applications, the minimum core thickness of the product must be 150 mm.
- For non-loadbearing wall applications, the minimum core thickness of the product must be 100 mm.
- Concrete used with this system must comply with Subsection 9.3.1. of Division B of the NBC 2015. It must be Type GU (General Use), with a minimum compressive strength of 20 MPa and a maximum slump of 150 ± 12 mm.
- The maximum aggregate size to be used in conjunction with this product must be no greater than 19 mm.

- For the wall heights indicated in Tables 4.2.1.1 and 4.2.1.2, the pouring of concrete must be made at a rate of 1.3 m per hour in consecutive lifts. Each lift is limited to a maximum height of 1.3 m.
- All point loads, such as concentrated loads created by girder trusses, columns, and beams, must bear directly on top of the concrete wall and must not be supported in any manner that would create an eccentric loading on the concrete wall.
- Floor and roof connections to ICF walls must be designed to accommodate diaphragm action in seismic zones and zones of high wind pressure.
- The concrete must be cured a minimum of seven days before backfilling. The wall must be laterally supported at the top and bottom prior to backfilling.
- The EPS insulation used in this system must comply, at minimum, with CAN/ULC-S701-11, “Thermal Insulation, Polystyrene, Boards and Pipe Covering,” Type 2.
- The product’s EPS insulation panels must be aged for at least three weeks from their date of manufacture.
- The concrete wall must be constructed on a footing designed as per Article 9.15.3.4., Basic Footing Widths and Areas, of Division B of the NBC 2015.
- The attachment of exterior cladding and interior finishing materials has not been assessed by the present evaluation.
- The interior face of the EPS panels must be protected from the inside of the building in accordance with Sentence 9.10.17.10.(1), Protection of Foamed Plastics, of Division B of the NBC 2015.
- For above-grade installations, the exterior face of the product must be protected with materials conforming to Article 9.20.6.4., Masonry Veneer, and Sections 9.27., Cladding, and/or 9.28., Stucco, of Division B of the NBC 2015.
- For below-grade installations, dampproofing must be provided in accordance with Article 9.13.2., Dampproofing, of Division B of the NBC 2015.
- Where hydrostatic pressure exists, waterproofing must be provided in accordance with Article 9.13.3., Waterproofing, of Division B of the NBC 2015.

For foundation wall installations, the backfill must be placed in such a way as to avoid damaging the wall, the exterior insulation panel and the waterproofing and dampproofing protection. The backfill material must be well-drained and a drainage system must be installed around the footing in accordance with the requirements of the NBC 2015.

The installation of the product must be in strict compliance with the Advantage ICF Installation Manual dated October 3, 2018, without conflicting with the requirements stated in the NBC 2015 or this Report. Only installers trained and authorized by Plasti-Fab Ltd. shall be contracted to set up the wall system.

4. Technical Evidence

The Report Holder has submitted technical documentation for CCMC’s evaluation. Testing was conducted at laboratories recognized by CCMC. The corresponding technical evidence for this product is summarized below.

4.1 Material Requirements

4.1.1 Conformance of the EPS

Compliance of the expanded polystyrene thermal insulation with the requirements of CAN/ULC-S701-11 is covered under Intertek Testing Services (NA) Ltd. Certificate and /or Label service.

4.2 Design Requirements

4.2.1 Conformance of Structural Capacity (Steel Reinforcement Designs)

The design analysis in the Engineering Analysis Report of walls using the product was provided to CCMC. It provides a level of performance equivalent to that required by applicable provisions in Part 4 and/or Part 9 of Division B of the NBC 2015. The corresponding design analysis is summarized in Tables 4.2.1.1 to 4.2.1.5. The tables provide steel reinforcement specifications for a number of different wall and lintel applications based on specific structural loads. The design assumptions are indicated below each table.

Table 4.2.1.1 Vertical and Horizontal Steel Reinforcement for Below-grade Walls⁽¹⁾⁽²⁾

Wall Height (m)	Backfill Height (m)	Max. Spacing for Vertical Reinforcement (mm)		Max. Spacing for Horizontal Reinforcement (mm)	
		150-mm wall	200-mm wall	150-mm wall	200-mm wall
2.44	1.22	10M @ 406	10M @ 305	10M @ 419	15M @ 419
	1.52	10M @ 406	10M @ 305	10M @ 419	15M @ 419
	1.83	10M @ 305	10M @ 305	10M @ 419	15M @ 419
	2.13	10M @ 203	10M @ 305	10M @ 419	15M @ 419
3.05	1.22	10M @ 406	10M @ 305	10M @ 419	15M @ 419
	1.52	10M @ 406	10M @ 305	10M @ 419	15M @ 419
	1.83	10M @ 305	10M @ 305	10M @ 419	15M @ 419
	2.13	10M @ 203	10M @ 305	10M @ 419	15M @ 419
	2.44	15M @ 305	15M @ 457	10M @ 419	15M @ 419
	2.74	15M @ 203	15M @ 305	10M @ 419	15M @ 419
3.66	1.22	10M @ 406	10M @ 305	10M @ 419	15M @ 419
	1.52	10M @ 406	10M @ 305	10M @ 419	15M @ 419
	1.83	10M @ 305	10M @ 305	10M @ 419	15M @ 419
	2.13	10M @ 203	10M @ 305	10M @ 419	15M @ 419
	2.44	15M @ 305	15M @ 457	10M @ 419	15M @ 419
	2.74	15M @ 203	15M @ 305	10M @ 419	15M @ 419
	3.05	–	15M @ 203	–	15M @ 419
	3.35	–	15M @ 203	–	15M @ 419

Notes to Table 4.2.1.1:

(1) Table 4.2.1.1 is based on the following assumptions:

- The design is applicable to all seismic zones.
- The maximum building width is 12.2 m.
- The maximum building length is 24.4 m.
- The maximum floor clear span is 6.1 m.
- The maximum roof clear span is 12.2 m with supports at mid-point.
- The maximum number of stories above grade is two (2).
- The maximum number of stories below grade is one (1).
- The roof slope from flat to maximum 1:1.
- The roof dead load is 0.72 kPa.
- The floor dead load is 1.2 kPa.
- The floor live load is 1.92 kPa.
- The snow load is 4.44 kPa.
- The surcharge load is 2.4 kPa.
- The loads include earth pressure and surcharge loads, plus gravity load. The gravity load assumes two (2) ICF storeys and a wood roof frame.
- Below-grade walls are assumed to support a brick veneer with a maximum height of 7 320 mm, with an eccentricity of 220 mm for the 150-mm-thick wall system and 245 mm for the 200-mm-thick wall system.
- The design earth pressure is 960 kg/m³ (equivalent fluid density).
- All above-grade walls are assumed to be on top of the ICF foundation walls.
- Openings in the foundation wall must be less than 1 220 mm in width, and the total openings in the wall must be less than 25% of the wall area.
- When the length of the wall between windows is less than the average length of the windows, the wall is considered to be unsupported and additional engineering is required.
- Reinforcing bars must be hard-grade deformed bars conforming to CSA G30.18-09, “Carbon Steel Bars for Concrete Reinforcement,” Grade 400. The specified yield strength of reinforcement, f_y , is 400 MPa.
- Wall designs that detail bends, placement, spacing, splicing, and protection of reinforcement must be in accordance with CSA A23.3-14, “Design of Concrete Structures.”
- The minimum concrete cover for vertical reinforcement is 35 mm from the inside face (tension face) of concrete.
- The minimum concrete cover for horizontal reinforcement is 25 mm from the inside face of concrete.
- Two 10M bars must be placed around all openings and extend 600 mm (24 in) beyond each side of the openings.

Notes to Table 4.2.1.1, cont.

- There shall be a minimum 28-day concrete yield strength of 20 MPa. Mix designs in accordance with the manufacturer’s recommendations.
- There shall be a minimum 4% to 7% concrete air entrainment when exposed to freeze/thaw cycles.
- The concrete must be allowed to cure for a minimum of seven (7) days prior to backfilling.
- Below-grade walls must be supported by the floor system at the top.
- All materials and workmanship must conform to the requirements of the NBC 2015, including any Revisions and Errata that have been released as of the issue date of this table.

(2) Table cells without a value indicate that the spacing is not feasible with respect to the proposed backfill height.

Table 4.2.1.2 Vertical and Horizontal Steel Reinforcement for Above-grade Walls⁽¹⁾

Wall Height (m)	Max. Spacing for Vertical Reinforcement (mm)		Max. Spacing for Horizontal Reinforcement (mm)	
	150-mm wall	200-mm wall	150-mm wall	200-mm wall
Single-storey concrete construction supporting a wood-frame roof structure				
2.44	10M @ 406	10M @ 305	10M @ 419	15M @ 419
3.05	10M @ 406	10M @ 305	10M @ 419	15M @ 419
3.66	10M @ 203	10M @ 305	10M @ 419	15M @ 419
Ground floor concrete construction supporting a second storey wood frame and wood-frame roof structure				
2.44	10M @ 406	10M @ 305	10M @ 419	15M @ 419
3.05	10M @ 406	10M @ 305	10M @ 419	15M @ 419
3.66	10M @ 203	10M @ 305	10M @ 419	15M @ 419
Ground floor concrete construction supporting a second storey concrete construction and a wood-frame roof structure				
2.44	10M @ 406	10M @ 305	10M @ 419	15M @ 419
3.05	10M @ 406	10M @ 305	10M @ 419	15M @ 419
3.66	10M @ 203	10M @ 305	10M @ 419	15M @ 419

Note to Table 4.2.1.2:

- (1) Table 4.2.1.2 is based on the following assumptions:
- The design is applicable to seismic zones up to $S_a(0.2) = 1.2$ for Site Class C.
 - Applicable to a maximum wind pressure of $q(1/50) = 1.2$ kPa.
 - For allowable building dimensions and floor and roof clear spans, see Note (1) to Table 4.2.1.1.
 - For assumed loads, see Note (1) to Table 4.2.1.1.
 - For concrete and steel material properties, see Note (1) to Table 4.2.1.1.
 - Above-grade vertical reinforcement is to be placed in the middle third of the wall section.
 - Above-grade horizontal reinforcement is to be placed in the middle third of the wall section.
 - A minimum of two 10M bars should be placed around all openings and must extend at least 600 mm beyond each corner of the opening.

Table 4.2.1.3(a) Minimum Steel Reinforcement of 210-mm Lintels with a 150-mm Core^{(1) (2)}

Opening Width (mm)	Factored Uniformly Distributed Load (kN/m)													
	2.0		5.0		10.0		15.0		20.0		25.0		30.0	
	Bottom Steel	Stirrup End Dist. (mm)	Bottom Steel	Stirrup End Dist. (mm)	Bottom Steel	Stirrup End Dist. (mm)	Bottom Steel	Stirrup End Dist. (mm)	Bottom Steel	Stirrup End Dist. (mm)	Bottom Steel	Stirrup End Dist. (mm)	Bottom Steel	Stirrup End Dist. (mm)
900	1-15M	0	1-15M	0	1-15M	0	1-15M	0	1-15M	0	1-15M	0	1-15M	0
1 500	1-15M	0	1-15M	0	1-15M	300	1-15M	300	1-15M	300	1-15M	300	1-20M	300
2 100	1-15M	0	1-15M	0	1-15M	300	1-20M	300	-	-	-	-	-	-
2 700	1-15M	0	1-15M	0	1-20M	300	-	-	-	-	-	-	-	-
3 300	1-15M	0	1-20M	0	-	-	-	-	-	-	-	-	-	-
3 900	1-15M	0	-	-	-	-	-	-	-	-	-	-	-	-
4 500	1-15M	0	-	-	-	-	-	-	-	-	-	-	-	-
5 100	-	-	-	-	-	-	-	-	-	-	-	-	-	-

Table 4.2.1.3(b) Minimum Steel Reinforcement of 419-mm-deep Lintels with a 150-mm Core^{(1) (2)}

Opening Width (mm)	Factored Uniformly Distributed Load (kN/m)													
	2.0		5.0		10.0		15.0		20.0		25.0		30.0	
	Bottom Steel	Stirrup End Dist. (mm)	Bottom Steel	Stirrup End Dist. (mm)	Bottom Steel	Stirrup End Dist. (mm)	Bottom Steel	Stirrup End Dist. (mm)	Bottom Steel	Stirrup End Dist. (mm)	Bottom Steel	Stirrup End Dist. (mm)	Bottom Steel	Stirrup End Dist. (mm)
900	1-15M	0	1-15M	0	1-15M	0	1-15M	0	1-15M	0	1-15M	0	1-15M	0
1 500	1-15M	0	1-15M	0	1-15M	500	1-15M	500	1-15M	500	1-15M	500	1-15M	500
2 100	1-15M	0	1-15M	0	1-15M	500	1-15M	500	1-15M	500	1-15M	500	1-15M	500
2 700	1-15M	0	1-15M	0	1-15M	500	1-15M	500	1-15M	500	1-20M	500	1-20M	500
3 300	1-15M	0	1-15M	0	1-15M	500	1-20M	500	1-20M	500	-	-	-	-
3 900	1-15M	0	1-15M	0	1-20M	500	-	-	-	-	-	-	-	-
4 500	1-15M	0	1-15M	0	1-20M	500	-	-	-	-	-	-	-	-
5 100	1-15M	0	1-20M	0	-	-	-	-	-	-	-	-	-	-

Table 4.2.1.3(c) Minimum Steel Reinforcement of 629-mm Lintels with a 150-mm Core^{(1) (2)}

Opening Width (mm)	Factored Uniformly Distributed Load (kN/m)													
	2.0		5.0		10.0		15.0		20.0		25.0		30.0	
	Bottom Steel	Stirrup End Dist. (mm)	Bottom Steel	Stirrup End Dist. (mm)	Bottom Steel	Stirrup End Dist. (mm)	Bottom Steel	Stirrup End Dist. (mm)	Bottom Steel	Stirrup End Dist. (mm)	Bottom Steel	Stirrup End Dist. (mm)	Bottom Steel	Stirrup End Dist. (mm)
900	1-20M	0	1-20M	0	1-20M	0	1-20M	0	1-20M	0	1-20M	0	1-20M	0
1 500	1-20M	0	1-20M	0	1-20M	700	1-20M	700	1-20M	700	1-20M	700	1-20M	700
2 100	1-20M	0	1-20M	0	1-20M	700	1-20M	700	1-20M	700	1-20M	700	1-20M	700
2 700	1-20M	0	1-20M	0	1-20M	700	1-20M	700	1-20M	700	1-20M	700	1-20M	700
3 300	1-20M	0	1-20M	0	1-20M	700	1-20M	700	1-20M	700	1-20M	700	1-20M	700
3 900	1-20M	0	1-20M	0	1-20M	700	1-20M	700	1-20M	700	-	-	-	-
4 500	1-20M	0	1-20M	0	1-20M	700	1-20M	700	-	-	-	-	-	-
5 100	1-20M	0	1-20M	0	1-20M	700	-	-	-	-	-	-	-	-

Table 4.2.1.3(d) Minimum Steel Reinforcement of 210-mm Lintels with a 200-mm Core⁽¹⁾⁽²⁾

Opening Width (mm)	Factored Uniformly Distributed Load (kN/m)													
	2.0		5.0		10.0		15.0		20.0		25.0		30.0	
	Bottom Steel	Stirrup End Dist. (mm)	Bottom Steel	Stirrup End Dist. (mm)	Bottom Steel	Stirrup End Dist. (mm)	Bottom Steel	Stirrup End Dist. (mm)	Bottom Steel	Stirrup End Dist. (mm)	Bottom Steel	Stirrup End Dist. (mm)	Bottom Steel	Stirrup End Dist. (mm)
900	1-15M	0	1-15M	0	1-15M	0	1-15M	0	1-15M	0	1-15M	0	1-15M	0
1 500	1-15M	0	1-15M	0	1-15M	300	1-15M	300	1-15M	300	1-15M	300	1-20M	300
2 100	1-15M	0	1-15M	0	1-15M	300	1-20M	300	–	–	–	–	–	–
2 700	1-15M	0	1-15M	0	1-20M	300	–	–	–	–	–	–	–	–
3 300	1-15M	0	1-20M	0	–	–	–	–	–	–	–	–	–	–
3 900	1-15M	0	–	–	–	–	–	–	–	–	–	–	–	–
4 500	1-20M	0	–	–	–	–	–	–	–	–	–	–	–	–
5 100	1-20M	0	–	–	–	–	–	–	–	–	–	–	–	–

Table 4.2.1.3(e) Minimum Steel Reinforcement of 419-mm Lintels with a 200-mm Core⁽¹⁾⁽²⁾

Opening Width (mm)	Factored Uniformly Distributed Load (kN/m)													
	2.0		5.0		10.0		15.0		20.0		25.0		30.0	
	Bottom Steel	Stirrup End Dist. (mm)	Bottom Steel	Stirrup End Dist. (mm)	Bottom Steel	Stirrup End Dist. (mm)	Bottom Steel	Stirrup End Dist. (mm)	Bottom Steel	Stirrup End Dist. (mm)	Bottom Steel	Stirrup End Dist. (mm)	Bottom Steel	Stirrup End Dist. (mm)
900	1-15M	0	1-15M	0	1-15M	0	1-15M	0	1-15M	0	1-15M	0	1-15M	0
1 500	1-15M	0	1-15M	0	1-15M	500	1-15M	500	1-15M	500	1-15M	500	1-15M	500
2 100	1-15M	0	1-15M	0	1-15M	500	1-15M	500	1-15M	500	1-15M	500	1-15M	500
2 700	1-15M	0	1-15M	0	1-15M	500	1-15M	500	1-15M	500	1-20M	500	1-20M	500
3 300	1-15M	0	1-15M	0	1-15M	500	1-20M	500	1-20M	500	–	–	–	–
3 900	1-15M	0	1-15M	0	1-20M	500	–	–	–	–	–	–	–	–
4 500	1-15M	0	1-15M	0	1-20M	500	–	–	–	–	–	–	–	–
5 100	1-15M	0	1-20M	0	–	–	–	–	–	–	–	–	–	–

Table 4.2.1.3(f) Minimum Steel Reinforcement of 629-mm Lintels with a 200-mm Core⁽¹⁾⁽²⁾

Opening Width (mm)	Factored Uniformly Distributed Load (kN/m)													
	2.0		5.0		10.0		15.0		20.0		25.0		30.0	
	Bottom Steel	Stirrup End Dist. (mm)	Bottom Steel	Stirrup End Dist. (mm)	Bottom Steel	Stirrup End Dist. (mm)	Bottom Steel	Stirrup End Dist. (mm)	Bottom Steel	Stirrup End Dist. (mm)	Bottom Steel	Stirrup End Dist. (mm)	Bottom Steel	Stirrup End Dist. (mm)
900	1-20M	0	1-20M	0	1-20M	0	1-20M	0	1-20M	0	1-20M	0	1-20M	0
1 500	1-20M	0	1-20M	0	1-20M	700	1-20M	700	1-20M	700	1-20M	700	1-20M	700
2 100	1-20M	0	1-20M	0	1-20M	700	1-20M	700	1-20M	700	1-20M	700	1-20M	700
2 700	1-20M	0	1-20M	0	1-20M	700	1-20M	700	1-20M	700	1-20M	700	1-20M	700
3 300	1-20M	0	1-20M	0	1-20M	700	1-20M	700	1-20M	700	1-20M	700	1-20M	700
3 900	1-20M	0	1-20M	0	1-20M	700	1-20M	700	1-20M	700	–	–	–	–
4 500	1-20M	0	1-20M	0	1-20M	700	1-20M	700	–	–	–	–	–	–
5 100	1-20M	0	1-20M	0	1-20M	700	–	–	–	–	–	–	–	–

Notes to Tables 4.2.1.3(a) to 4.2.1.3(f):

(1) Tables 4.2.1.3(a) to 4.2.1.3(f) are based on the following assumptions:

- The factored uniformly distributed load includes live and dead loads, not including the weight of the lintel.
- The minimum height of the lintel is 210 mm for Tables 4.2.1.3(a) and (d); 419 mm for Tables 4.2.1.3(b) and (e); and 629 mm for Tables 4.2.1.3(c) and (f).
- Stirrups are single-leg fabricated from 10M bars spaced at 100 mm on centre (o.c.) for Tables 4.2.1.3(a) and (d); 200 mm o.c. for Tables 4.2.1.3(b) and (e); and 300 mm o.c. for Tables 4.2.1.3(c) and (f).
- Lintel reinforcing is located at the bottom of the lintel and projects 320 mm for 15M bars and 430 mm for 20M bars into the lintel support on each side.
- The specified compressive strength of concrete, @ 28 days f'_c , is 20 MPa.
- The specified yield strength of reinforcement, f_y , is 400 MPa.
- A minimum of two (2) 10M bars must be placed around all openings and must extend at least 600 mm beyond each corner of the opening.

(2) Table cells without a value indicate that engineering input is required.

Table 4.2.1.4(a) Minimum Solid Shear Wall Length for Wind Pressure Equal to 0.4 kPa⁽¹⁾

Width (m)	Length (m)	150-mm-thick Wall (mm)				200-mm-thick Wall (mm)			
		2 nd floor		1 st floor of 2 storey		2 nd floor		1 st floor of 2 storey	
		Short dir.	Long dir.	Short dir.	Long dir.	Short dir.	Long dir.	Short dir.	Long dir.
6.1	6.1	1.22	1.22	1.22	1.22	1.22	1.22	1.22	1.22
	12.2	1.22	1.22	1.22	1.22	1.22	1.22	1.22	1.22
	18.3	1.22	1.22	1.26	1.22	1.22	1.22	1.22	1.22
	24.4	1.22	1.22	1.67	1.22	1.22	1.22	1.26	1.22
12.2	6.1	1.22	1.22	1.22	1.22	1.22	1.22	1.22	1.22
	12.2	1.22	1.22	1.22	1.22	1.22	1.22	1.22	1.22
	18.3	1.22	1.22	1.53	1.22	1.22	1.22	1.22	1.22
	24.4	1.39	1.22	2.02	1.22	1.22	1.22	1.53	1.22

Table 4.2.1.4(b) Minimum Solid Shear Wall Length for Wind Pressure Equal to 0.6 kPa⁽¹⁾

Width (m)	Length (m)	150-mm-thick Wall (mm)				200-mm-thick Wall (mm)			
		2 nd floor		1 st floor of 2 storey		2 nd floor		1 st floor of 2 storey	
		Short dir.	Long dir.	Short dir.	Long dir.	Short dir.	Long dir.	Short dir.	Long dir.
6.1	6.1	1.22	1.22	1.22	1.22	1.22	1.22	1.22	1.22
	12.2	1.22	1.22	1.26	1.22	1.22	1.22	1.22	1.22
	18.3	1.22	1.22	1.87	1.22	1.22	1.22	1.41	1.22
	24.4	1.53	1.22	2.48	1.22	1.22	1.22	1.87	1.22
12.2	6.1	1.22	1.22	1.22	1.22	1.22	1.22	1.22	1.22
	12.2	1.22	1.22	1.53	1.22	1.22	1.22	1.22	1.22
	18.3	1.55	1.22	2.27	1.22	1.22	1.22	1.71	1.22
	24.4	2.06	1.22	3.01	1.22	1.55	1.22	2.27	1.22

Table 4.2.1.4(c) Minimum Solid Shear Wall Length for Wind Pressure Equal to 0.8 kPa⁽¹⁾

Width (m)	Length (m)	150-mm-thick Wall (mm)				200 mm-thick Wall (mm)			
		2 nd floor		1 st floor of 2 storey		2 nd Floor		1 st floor of 2 storey	
		Short dir.	Long dir.	Short dir.	Long dir.	Short dir.	Long dir.	Short dir.	Long dir.
6.1	6.1	1.22	1.22	1.22	1.22	1.22	1.22	1.22	1.22
	12.2	1.22	1.22	1.67	1.22	1.22	1.22	1.26	1.22
	18.3	1.53	1.22	2.48	1.22	1.22	1.22	1.87	1.22
	24.4	2.02	1.22	3.30	1.22	1.53	1.22	2.48	1.22
12.2	6.1	1.22	1.22	1.22	1.34	1.22	1.22	1.22	1.22
	12.2	1.39	1.22	2.02	1.34	1.22	1.22	1.53	1.22
	18.3	2.06	1.22	3.01	1.34	1.55	1.22	2.27	1.22
	24.4	2.73	1.22	4.00	1.34	2.06	1.22	3.01	1.22

Table 4.2.1.4(d) Minimum Solid Shear Wall Length for Wind Pressure Equal to 1.0 kPa⁽¹⁾

Width (m)	Length (m)	150-mm-thick Wall (mm)				200-mm-thick Wall (mm)			
		2 nd floor		1 st floor of 2 storey		2 nd Floor		1 st floor of 2 storey	
		Short dir.	Long dir.	Short dir.	Long dir.	Short dir.	Long dir.	Short dir.	Long dir.
6.1	6.1	1.22	1.22	1.22	1.22	1.22	1.22	1.22	1.22
	12.2	1.28	1.22	2.08	1.22	1.22	1.22	1.57	1.22
	18.3	1.90	1.22	3.09	1.22	1.43	1.22	2.33	1.22
	24.4	2.52	1.22	4.11	1.22	1.90	1.22	3.09	1.22
12.2	6.1	1.22	1.22	1.28	1.67	1.22	1.22	1.22	1.26
	12.2	1.72	1.22	2.52	1.67	1.30	1.22	1.90	1.26
	18.3	2.56	1.22	3.76	1.67	1.93	1.22	2.83	1.26
	24.4	3.40	1.22	5.00	1.67	2.56	1.22	3.76	1.26

Table 4.2.1.4(e) Minimum Solid Shear Wall Length for Wind Pressure Equal to 1.2 kPa⁽¹⁾

Width (m)	Length (m)	150-mm-thick Wall (mm)				200-mm-thick Wall (mm)			
		2 nd floor		1 st floor of 2 storey		2 nd Floor		1 st floor of 2 storey	
		Short dir.	Long dir.	Short dir.	Long dir.	Short dir.	Long dir.	Short dir.	Long dir.
6.1	6.1	1.22	1.22	1.26	1.22	1.22	1.22	1.22	1.22
	12.2	1.53	1.22	2.48	1.22	1.22	1.22	1.87	1.22
	18.3	2.27	1.22	3.70	1.22	1.71	1.22	2.79	1.22
	24.4	3.01	1.22	4.93	1.22	2.27	1.22	3.70	1.22
12.2	6.1	1.22	1.31	1.53	2.00	1.22	1.22	1.22	1.51
	12.2	2.06	1.31	3.01	2.00	1.55	1.22	2.27	1.51
	18.3	3.07	1.31	4.50	2.00	2.31	1.22	3.39	1.51
	24.4	4.08	1.31	5.99	2.00	3.07	1.22	4.50	1.51

Note to Tables 4.2.1.4(a) to 4.2.1.4(e):

(1) Tables 4.2.1.4(a) to 4.2.1.4(e) are based on the following assumptions:

- The minimum solid wall length is for each side.
- Roof slope from flat to maximum 1:1.
- Maximum wall height is 3.66 m for each floor.
- Linear interpolation is permitted between hourly wind pressures and building dimensions.
- Specified compressive strength of concrete, @ 28 days f'_c , is 20 MPa.
- Specified yield strength of reinforcement, f_y , is 400 MPa.

Table 4.2.1.5(a) Minimum Solid Wall Length for $S_a(0.2)$ Equals 0.4⁽¹⁾

Width (m)	Length (m)	150-mm-thick Wall (mm)				200-mm-thick Wall (mm)			
		2 nd floor		1 st floor of 2 storey		2 nd floor		1 st floor of 2 storey	
		Short dir.	Long dir.	Short dir.	Long dir.	Short dir.	Long dir.	Short dir.	Long dir.
6.1	6.1	1.22	1.22	1.25	1.25	1.22	1.22	1.22	1.22
	12.2	1.22	1.22	1.84	1.97	1.22	1.22	1.60	1.72
	18.3	1.22	1.26	2.43	2.69	1.22	1.22	2.10	2.34
	24.4	1.22	1.59	3.02	3.42	1.22	1.39	2.60	2.96
12.2	6.1	1.22	1.22	2.02	1.88	1.22	1.22	1.80	1.68
	12.2	1.29	1.29	2.61	2.61	1.22	1.22	2.30	2.30
	18.3	1.49	1.62	3.20	3.33	1.33	1.45	2.80	2.92
	24.4	1.69	1.96	3.79	4.05	1.50	1.74	3.30	3.54

Table 4.2.1.5(b) Minimum Solid Wall Length for $S_a(0.2)$ Equals 0.6⁽¹⁾

Width (m)	Length (m)	150-mm-thick Wall (mm)				200-mm-thick Wall (mm)			
		2 nd floor		1 st floor of 2 storey		2 nd floor		1 st floor of 2 storey	
		Short dir.	Long dir.	Short dir.	Long dir.	Short dir.	Long dir.	Short dir.	Long dir.
6.1	6.1	1.22	1.22	1.85	1.85	1.22	1.22	1.62	1.62
	12.2	1.22	1.36	2.73	2.93	1.22	1.22	2.38	2.56
	18.3	1.46	1.86	3.62	4.02	1.28	1.64	3.13	3.49
	24.4	1.76	2.37	4.50	5.11	1.53	2.07	3.88	4.42
12.2	6.1	1.61	1.41	3.00	2.80	1.46	1.28	2.68	2.50
	12.2	1.91	1.91	3.89	3.89	1.72	1.72	3.43	3.43
	18.3	2.21	2.41	4.77	4.98	1.97	2.15	4.18	4.36
	24.4	2.51	2.92	5.66	6.06	2.23	2.59	4.93	5.30

Table 4.2.1.5(c) Minimum Solid Wall Length for $S_a(0.2)$ Equals 0.8⁽¹⁾

Width (m)	Length (m)	150-mm-thick Wall (mm)				200-mm-thick Wall (mm)			
		2 nd floor		1 st floor of 2 storey		2 nd floor		1 st floor of 2 storey	
		Short dir.	Long dir.	Short dir.	Long dir.	Short dir.	Long dir.	Short dir.	Long dir.
6.1	6.1	1.22	1.22	2.45	2.45	1.22	1.22	2.15	2.15
	12.2	1.53	1.80	3.63	3.90	1.35	1.59	3.15	3.40
	18.3	1.93	2.47	4.81	5.35	1.69	2.17	4.16	4.64
	24.4	2.34	3.14	5.99	6.80	2.03	2.75	5.16	5.88
12.2	6.1	2.14	1.87	3.99	3.72	1.94	1.70	3.56	3.32
	12.2	2.54	2.54	5.17	5.17	2.28	2.28	4.56	4.56
	18.3	2.94	3.21	6.35	6.62	2.61	2.86	5.56	5.81
	24.4	3.34	3.88	7.53	8.07	2.95	3.44	6.57	7.05

Table 4.2.1.5(d) Minimum Solid Wall Length for $S_a(0.2)$ Equals 1.00⁽¹⁾

		150-mm-thick Wall (mm)				200-mm-thick Wall (mm)			
Width (m)	Length (m)	2 nd floor		1 st floor of 2 storey		2 nd floor		1 st floor of 2 storey	
		Short dir.	Long dir.	Short dir.	Long dir.	Short dir.	Long dir.	Short dir.	Long dir.
6.1	6.1	1.41	1.41	3.05	3.05	1.25	1.25	2.68	2.68
	12.2	1.91	2.24	4.53	4.86	1.68	1.98	3.93	4.23
	18.3	2.41	3.08	6.00	6.68	2.10	2.70	5.19	5.79
	24.4	2.91	3.92	7.48	8.49	2.52	3.43	6.44	7.34
12.2	6.1	2.66	2.32	4.98	4.64	2.41	2.11	4.44	4.14
	12.2	3.16	3.16	6.45	6.45	2.83	2.83	5.69	5.69
	18.3	3.66	4.00	7.93	8.27	3.26	3.56	6.95	7.25
	24.4	4.16	4.83	9.40	10.08	3.68	4.28	8.20	8.80

Table 4.2.1.5(e) Minimum Solid Wall Length for $S_a(0.2)$ Equals 1.2⁽¹⁾

		150-mm-thick Wall (mm)				200-mm-thick Wall (mm)			
Width (m)	Length (m)	2 nd floor		1 st floor of 2 storey		2 nd floor		1 st floor of 2 storey	
		Short dir.	Long dir.	Short dir.	Long dir.	Short dir.	Long dir.	Short dir.	Long dir.
6.1	6.1	1.68	1.68	3.66	3.66	1.49	1.49	3.21	3.21
	12.2	2.28	2.68	5.43	5.83	2.00	2.36	4.71	5.07
	18.3	2.88	3.69	7.20	8.00	2.51	3.23	6.22	6.94
	24.4	3.48	4.69	8.97	10.18	3.02	4.10	7.72	8.80
12.2	6.1	3.18	2.78	5.87	5.56	2.88	2.52	5.32	4.96
	12.2	3.78	3.78	7.74	7.74	3.39	3.39	6.82	6.82
	18.3	4.39	4.79	9.51	9.91	3.90	4.26	8.33	8.69
	24.4	4.99	5.79	11.28	12.08	4.41	5.13	9.83	10.55

Note to Tables 4.2.1.5(a) to 4.2.1.5(e):

(1) Tables 4.2.1.5(a) to 4.2.1.5(e) are based on the following assumptions:

- The minimum solid wall length is for each side.
- Roof slope from flat to maximum 1:1.
- The maximum wall height is 3.66 m for each floor.
- Seismic effects for Site Class C are considered.
- Linear interpolation is permitted between seismic zones and building dimensions.
- Brick veneer at a maximum height of 7.32 m is included.
- Specified compressive strength of concrete, @ 28 days, f'_c , is 20 MPa.
- Specified yield strength of reinforcement, f_y , is 400 MPa.

Report Holder

Plasti-Fab Ltd.
300, 2891 Sunridge Way
NE Calgary, AB T1Y 7K7

Telephone: 403-569-4312

Web site: www.advantageicf.com

Plant(s)

Crossfield, AB

Disclaimer

This Report is issued by the Canadian Construction Materials Centre, a program of the Construction Research Centre at the National Research Council of Canada. The Report must be read in the context of the entire CCMC Registry of Product Evaluations, including, without limitation, the introduction therein which sets out important information concerning the interpretation and use of CCMC Evaluation Reports.

Readers must confirm that the Report is current and has not been withdrawn or superseded by a later issue. Please refer to http://www.nrc-cnrc.gc.ca/eng/solutions/_advisory/ccmc_index.html, or contact the Canadian Construction Materials Centre, Construction Research Centre, National Research Council of Canada, 1200 Montreal Road, Ottawa, Ontario, K1A 0R6. Telephone 613-993-6189. Fax 613-952-0268.

NRC has evaluated the material, product, system or service described herein only for those characteristics stated herein. The information and opinions in this Report are directed to those who have the appropriate degree of experience to use and apply its contents. This Report is provided without representation, warranty, or guarantee of any kind, expressed, or implied, and the National Research Council of Canada (NRC) provides no endorsement for any evaluated material, product, system or service described herein. NRC accepts no responsibility whatsoever arising in any way from any and all use and reliance on the information contained in this Report. NRC is not undertaking to render professional or other services on behalf of any person or entity nor to perform any duty owed by any person or entity to another person or entity.

Date modified:

2019-05-28